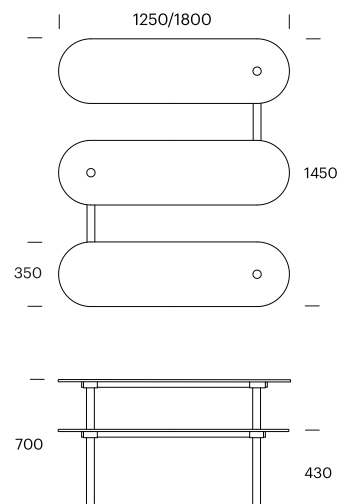


PLATEAU PICNIC STREET

207

Need to seat six people, while optimizing the space? Plateau Picnic Street is designed for modern living – new ways of working, new ways of coming together! It is easy to fit in and easy to access with its slim design and organic, rounded ends. Plateau Picnic Street is slim and crafted with a cool one-flow frame consisting of a continuous steel tube that completes the design in an exciting, yet simple shape.

Design: Holscher Design



TECHNICAL DATA

Material

Seat / tabletop, 2 lengths 1250 / 1800mm: Robust, multi-layer and colored 12mm compact laminate in 6 colors. Very UV and weather-resistant and solid mechanical quality and durability.
Frame/legs: hot-dip galvanized steel. Disc with logo: Bead blasted stainless steel. Can be delivered with a customer-specified name/logo or other.

Dimensions

1250mm: 1250L x 1450D x 700H; Seat height 430 (mm).

Seating: 4 seats

1800mm: 1800L x 1450D x 700H; Seat height 430 (mm).

Seating: 6 seats

Assembly + fixation

Supplied partially mounted: compact laminate and steel frames are pre-assembled, legs + steel discs are not mounted.

4 x Ø14 mm holes in legs for bolting.

Holes in the flange in 2 legs for bolting (F). Fixation recommended for stability.

Maintenance

Maintenance-free and easy to clean. Easy graffiti removal.

Variants

Compact laminate + frame/legs can be supplied as a variant in other colours.

Family

Picnic O, I, L, Bench, Plinth, Seat, City Chair, Table Round, Picnic Round, Duo.

Accessories

Point Sun f. Plateau Street.

Solar-powered lighting unit for mounting on a table or seat.

Design protection

Registered EU community design.

Product code

207 02## Plateau Picnic Street 1250F

207 12## Plateau Picnic Street 1800F

326 Point Sun incl. alubase f Plateau Street.

Standard colours (approx. RAL)



#26 Golden Yellow RAL 1018



#18 Olive RAL 6013



#5 Steelblue 5024



#25 Terracotta RAL 3016



#23 Corten RAL 8011



#22 Cave RAL 7043